

Industrial Vertical Bed Scrubber (IVBS)



The Industrial Vertical Bed Scrubber (IVBS) is a vertical airflow system that provides air purification for high contaminant levels. Used in pulp and paper mills and other industrial facilities, the reliable and traditional deep bed design has high airflow capacity to remove more than 99% of odorous and harmful gases.

Benefits	Features
Compact and Powerful	<ul style="list-style-type: none"> Vertical airflow configuration 510 - 9,520 CMH (300 - 5,600 CFM)
High Filtration Efficiency	<ul style="list-style-type: none"> Low air bypass and high removal efficiency
Low Maintenance	<ul style="list-style-type: none"> Bulk loading and unloading
Particulate Filtration	<ul style="list-style-type: none"> 50mm (2 in), 30% MERV-8 Filter 150mm (6 in), 95% MERV-14 Filter <i>*Other filter options available upon request</i>
Customizable	<ul style="list-style-type: none"> Magnehelic or photohelic differential pressure gauges Multiple blower selections Various sizes and configurations Models have a single deep bed with the ability for multiple medias Material options: 316 or 304 grade stainless steel, or aluminum Sound enclosures
Multiple Applications	<ul style="list-style-type: none"> Protect mission critical electronics Industrial odor removal Environmental emission control



IVBS MODEL # VBS-	AIR FLOW RANGE CMH (CFM)	MOTOR MAX kW (HP)	MEDIA VOLUME M ³ (FT ³)	SHIPPING WEIGHT KG (LBS)	OPERATING WEIGHT KG (LBS)
302	510 - 1,020 (300 - 600)	1.5 (2.0)	0.5 (18)	354 (780)	680 (1,500)
403	1,020 - 2,040 (600 - 1,200)	3.7 (5.0)	1.0 (36)	590 (1,300)	1,633 (3,600)
504	1,700 - 3,400 (1,000 - 2,000)	5.5 (7.5)	1.7 (60)	998 (2,200)	2,722 (6,000)
605	2,550 - 5,100 (1,500 - 3,000)	7.5 (10.0)	2.5 (90)	1,043 (2,300)	3,629 (8,000)
706	3,570 - 7,140 (2,100 - 4,200)	9.3 (12.5)	3.6 (126)	1,451 (3,200)	5,035 (11,100)
807	4,760 - 9,520 (2,800 - 5,600)	11.2 (15.0)	4.8 (168)	2,041 (4,500)	6,804 (15,000)

+1 678.935.1431 | Toll Free: 866.543.7479

www.PureAirFiltration.com | 6050 Peachtree Pkwy, Suite 240-187, Atlanta, GA, 30092 USA



**STAGE 3: FINAL-FILTERS
(TWO-STAGES):**
 - (1) 4" MERV-8
 - (1) 6" MERV-14

**STAGE 2:
ADSORBENT
MEDIA
SECTION**

**DIFFERENTIAL
PRESSURE
GAUGES**

**MEDIA &
BOTTOM
ACCESS PORTS**

MEDIA ACCESS HATCH

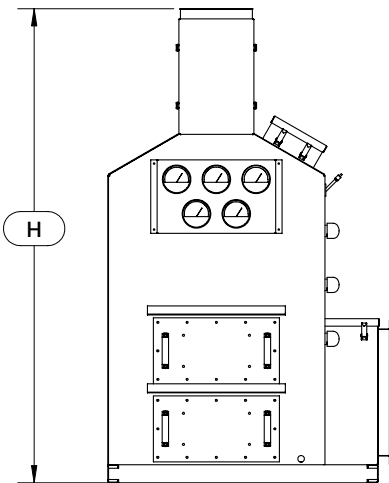
MEDIA BED INDICATOR

BLOWER

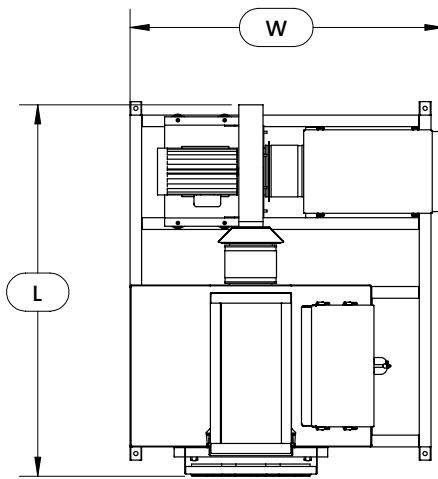
**STAGE 1: PRE-FILTER,
TWO-STAGE:**
 - (1) 4" MERV-8
 - (1) 6" MERV-14

**MEDIA SAMPLE
PORTS**

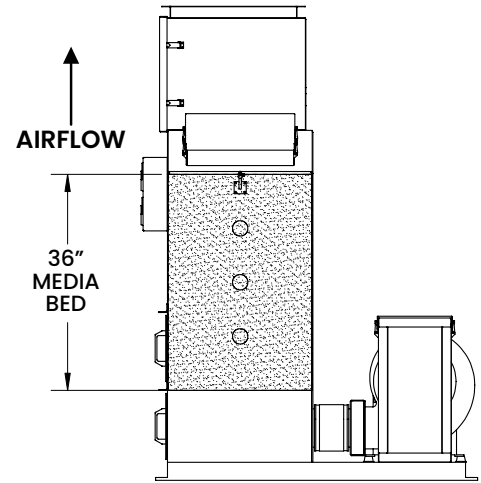
ISOMETRIC VIEW



FRONT VIEW



PLAN VIEW



RIGHT VIEW

MEDIA BED INDICATOR

This system is equipped with a silver Media Bed Indicator. The device is positioned inside the system at an angle against the direction of airflow to detect the expiration level of the media.

- Dark coloration on the device indicates where media has been consumed. Once 75% of the device is discolored, contact the factory to replace the media to ensure proper functioning of the system

