

4

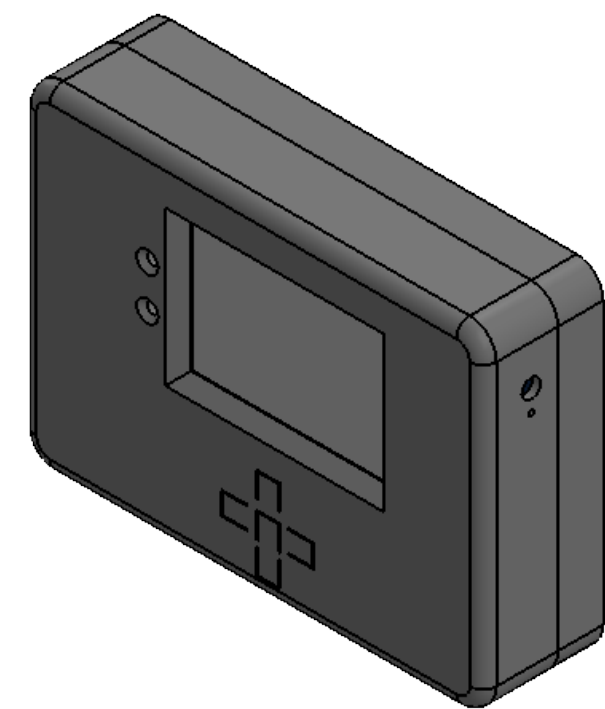
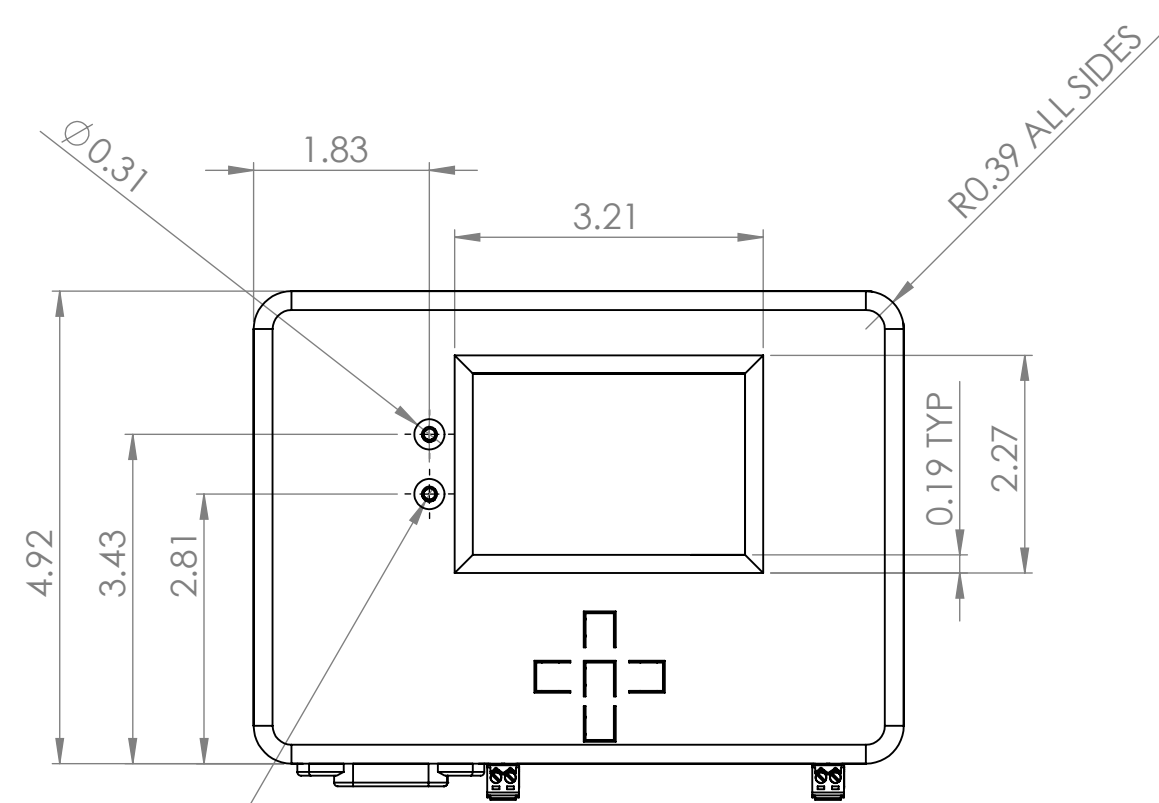
3

2

1

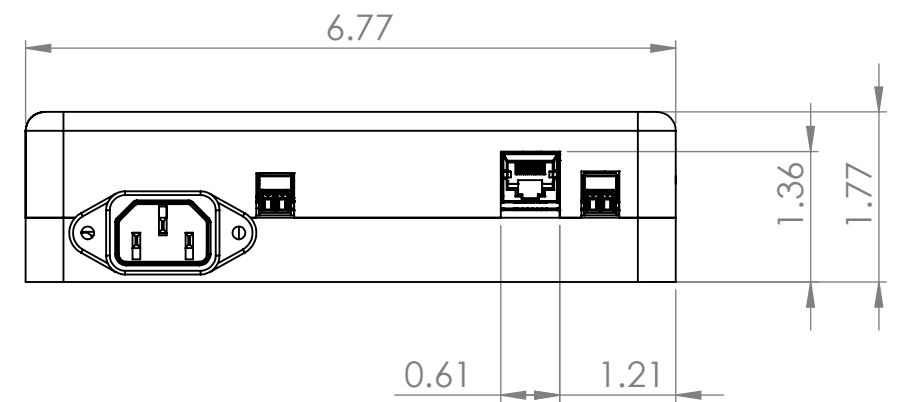
B

B



A

A



6050 Peachtree Parkway
Suite 240-187
Norcross, GA 30092
Phone: (678) 935-1431

DRAWN BY: J.O	COMPANY: PUREAIR FILTRATION
CHECKED BY:	CLIENT:
DATE: Monday, November 25, 2024	DESCRIPTION: EBM PANEL
S.O. #:	
PROJECT NAME:	DWG. NO:
PROPRIETARY AND CONFIDENTIAL THE INFORMATION CONTAINED IN THIS DRAWING IS THE SOLE PROPERTY OF PURE AIR FILTRATION. ANY REPRODUCTION IN PART OR AS A WHOLE WITHOUT THE WRITTEN PERMISSION OF PURE AIR FILTRATION IS PROHIBITED.	REV:
	DO NOT SCALE DRAWING
	SHEET 1 OF 1

4

3

2

1